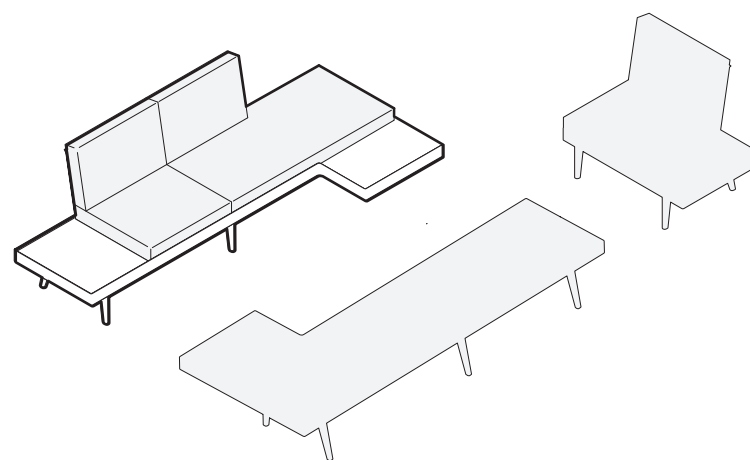
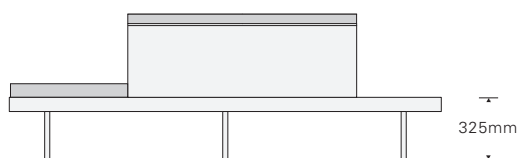
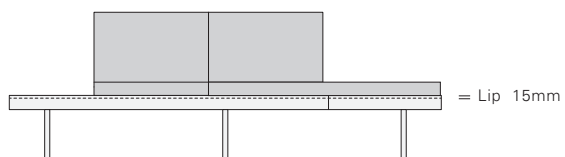
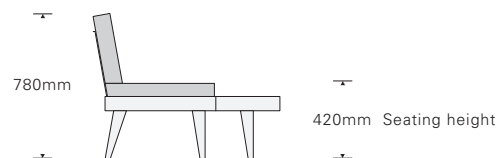
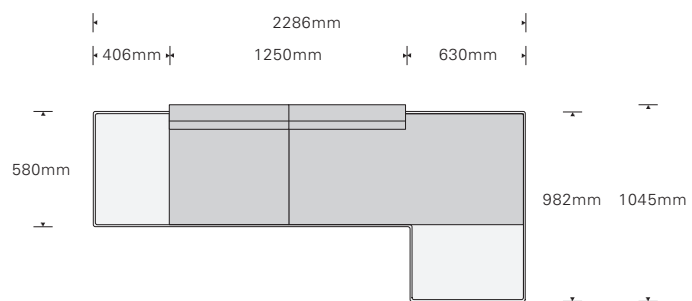


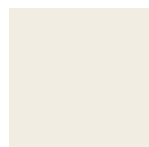


TOFFOLI SOFA double



Frame: powder coat steel

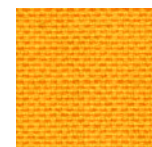
Fabric: wool 30% & acrylic 70%



Off White



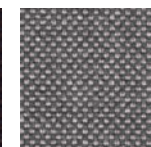
Blue



Ochre



Navy & Brown



Medium Gray

TOFFOLI SOFA double

POWDER COAT STEEL, HIGH DENSITY FOAM, FABRIC

H 780 X W 2286 X D 1045 MM [H 30 3/4 X W 90 X D 41 1/8 IN.], 62.8KG [138LB]

DESIGNED IN NEW YORK AND MANUFACTURED BY MIYAKEKOGEI IN OSAKA, JAPAN